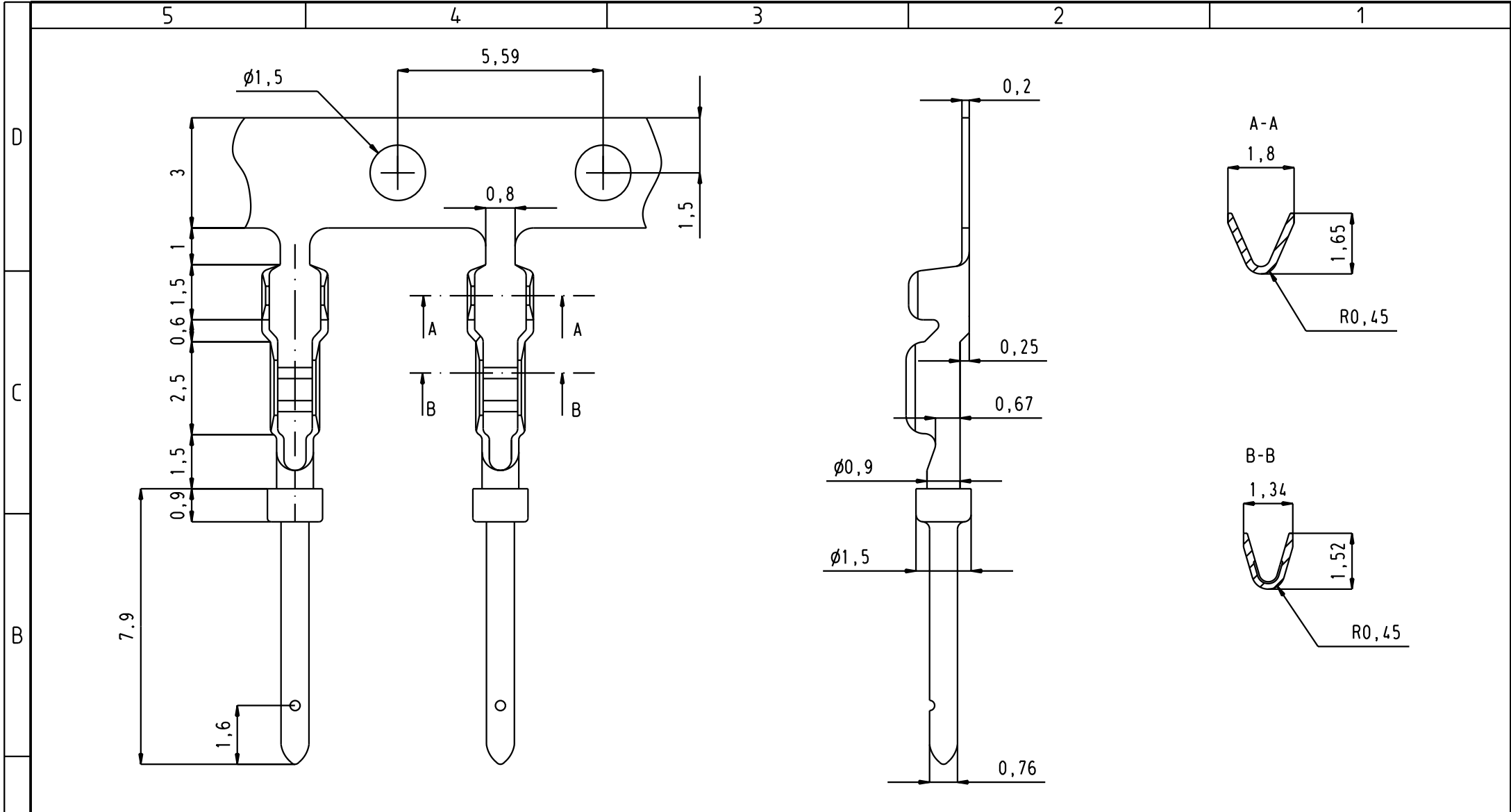




Product details


09 56 000 8177 High density crimp contacts

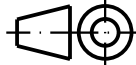
Contact gender	stamped male contact
Wire gauge	AWG 26-24; 0,14-0,22mm ²
Performance Class	Performance level 3
Packaging	Individual contacts, 500 pieces/box
Crimp tool	HARTING crimp tool 09 99 000 0596
RoHS compliant	Yes



09560008175	0.76 μm Au
09560008177	3
Part number	Performance level

31376	20-JAN-03	S.H.
Mod.	Dat.	Name

	Dat.	Name
Detail.	20-JAN-03	S.H.
Insp.		
Stand.		
		

		D-Sub, high density, stamped male contact for AWG 24-26 500 pcs bulk in plastic bag	Maßstab/ Scale 7 : 1
All Dim. in mm Orig. Size DIN A 4			Blatt/ Page 1 /
HARTING EURL F-95972 Paris		TB 0956000817x	Sub.